

OPERATOR'S MANUAL

TP0645G5XXXXXXX

INCLUDING: OPERATION, INSTALLATION AND MAINTENANCE.

RELEASED: 3-24-10

INCLUDE MANUALS: AF0645GXXXX Two-Ball Pump (97999-1507), RM552S-X Two Post Lift / Ram (pn 97999-1445), & S-636 General Information (pn 97999-636).

(REV. 01)

6" AIR MOTOR
45:1 RATIO
6" STROKE

TWO POST RAM PACKAGE 55 Gallon



**READ THIS MANUAL CAREFULLY BEFORE INSTALLING,
OPERATING OR SERVICING THIS EQUIPMENT.**

It is the responsibility of the employer to place this information in the hands of the operator. Keep for future reference.

SERVICE KITS

- Use only genuine ARO® replacement parts to assure compatible pressure rating and longest service life.
- **637489** for repair of air motor section.
- **104302** for repair of P39124-100 filter / regulator.
- **104453** for repair of P39344-100 filter / regulator.
- **637466** for repair of lift / ram seals.
- **637306-X43** for repair of lower pump section.

MODEL DESCRIPTION CHART

TP 06 45 G 5 XXXXX XX X	
Package TP - Two Post	
Air Motor Size 06 - 6"	
Pump Ratio 45 - 45:1	
Check Type / Wetted Materials G - 2 Ball / Hard Stainless Steel with Big Inlet	
Mount Style 5 - 5 gallon (400 lbs)	
Lower Pump End Options Refer to pump model operator's manual	
Follower Assembly AC - 66516 AN - 67195-2 AA - 66516-1 AV - 67195-3 AB - 66516-2 TM - 67195-5 TC - 66516-5 TN - 67195-6 TA - 66156-6 TV - 67195-7 TB - 66516-7 AS - 67195-8 AM - 67195-1 TS - 67195-9	
Package Option 0 - None- Basic Control for Ram only 2 - Advanced Ram and Pump Controls	

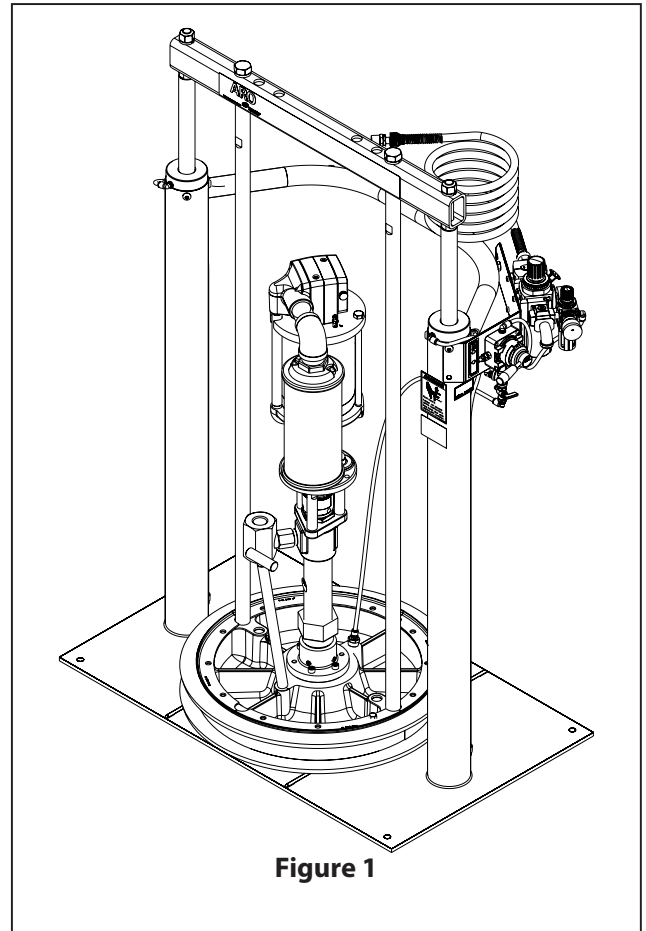


Figure 1

GENERAL DESCRIPTION

By delivering a smooth, continuous bead of the proper size, an ARO system helps the operator maintain both production rate and produce high quality standards. Maintained quality standards assures that the material benefits are realized. To further maximize operator production time, the ARO system has a built-in lift / ram feature for quick and easy drum changeover and easy lifting of the pump assembly from the container.

ARO systems are totally enclosed, sealing the material in the system from air and moisture, preventing premature cure-out of the material. This allows for either continuous or intermittent use of the system and allows the need for daily system clean-up.

INGERSOLL RAND COMPANY LTD

209 NORTH MAIN STREET - BRYAN, OHIO 435066

☎ (800) 495-0276 • FAX (800) 892-6276

© 2010

CCN 15338445

www.ingersollrandproducts.com

ARO

IR Ingersoll Rand
Industrial Technologies

INSTALLATION

The TP0645G5XXXXXXX Extrusion System comes completely assembled. Remove the unit from the crate and place on a level surface. Install the material hose and dispensing device as required.

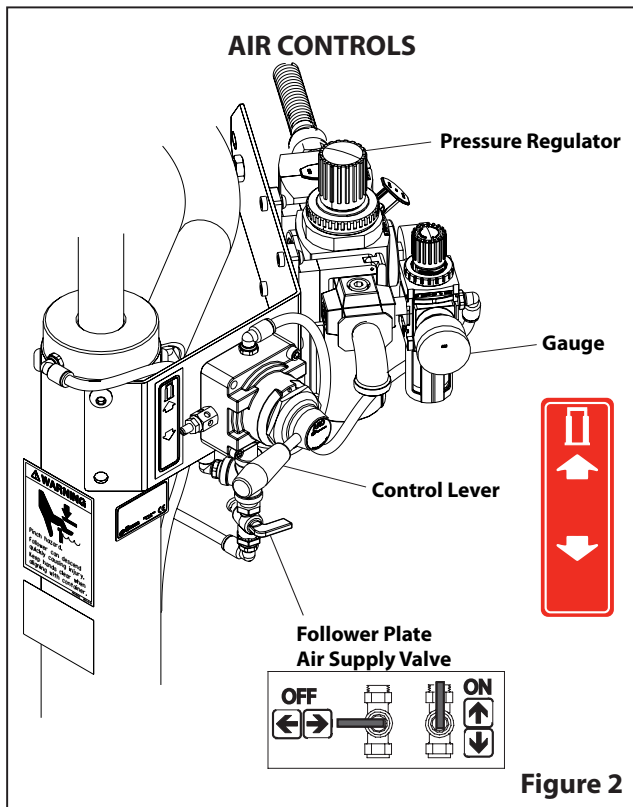
When the following instructions are observed, heavy paste

materials can be pumped directly from their original drum without air inclusion or excessive waste. The follower plate creates an air tight seal as well as clean-wiping action in its progressive downward movement into the drum.

OPERATING INSTRUCTIONS

OPERATING INSTRUCTIONS / INITIAL SET-UP PROCEDURE

⚠ WARNING Stand clear when raising or lowering the lift. Read the warnings on page 3 of RM552S-X Two Post Lift / Ram Operator's Manual.



TO RAISE THE LIFT, (the first time):

1. Take note of the pump / drum clearance above. Be certain the lift / ram is clear of any objects above. Also, refer to "Operating and Safety Precautions" found on page 3 of RM552S-X Two Post Lift / Ram Operator's Manual.
2. Connect the air supply (150 p.s.i. max.) to the air inlet. Adjust the air pressure on the lift / ram pressure regulator (turn the knob clockwise) to 20 p.s.i. (1.4 bar).
3. Shift the control valve lever to the "up" position.
4. Raise the lift / ram high enough to clear the height of the drum. Stop the lift upward travel by moving the control valve lever to the "neutral" (center) position.

REFER TO PAGE 3:

1. Once the lift / ram assembly and pump are in the "up" position, place and center an opened 5 or 55 gallon drum of material on the lift / ram base.
2. Lubricate the lower follower wiper plate seal with grease.

This ensures a smooth fit into the drum, as well as prevents curing type compounds from bonding to the seal. NOTE: Make certain the grease is compatible with the material being dispensed.

3. Check the vent plug on the follower plate to be sure it easily threads in and out. It is recommended to lubricate the threads of the plug to help prevent possible set-up of the compound at this point (see RM552S-X Operator's Manual).

TO LOWER LIFT:

⚠ WARNING PINCH HAZARD. Follower can descend quickly, causing injury. Keep hands clear when aligning with container. Read the warnings on page 3 of RM552S-X Two Post Lift / Ram Operator's Manual.

NOTE: Be certain the follower plate vent plug has been removed so that the air trapped between the follower and the material is allowed to escape from this vent. Captured air between the follower plate and drum will escape.

NOTE: The lift / ram may hesitate momentarily before starting downward. The air pressure inside the post air chamber must decrease before it will begin to descend.

1. Shift the control valve lever to the "down" position and proceed to lower the pump.
2. Replace the vent plug once the material begins to ooze from the vent opening.
3. The unit is now ready for operation. Adjust the air pressure on the pump filter / regulator (turn the pump regulator knob clockwise) until the pump begins to cycle.
4. Trigger the gun to prime the pump with material.

TO RAISE LIFT, (normal operation):

1. Adjust the follower plate air valve pressure up to approximately 8 p.s.i.g. (0.55 bar). DO NOT OVER PRESSURIZE THE DRUM to avoid damage. NOTE: Air from this valve will only pass when the control lever is in the "up" position.
2. Shift the control valve lever to the "up" position.
3. Raise the lift / ram high enough to clear the height of the drum. Stop the lift upward travel by moving the control valve lever to the "neutral" (center) position.

TO CHANGE THE DRUM:

NOTE: The control valve lever must be in the "neutral" position.

1. Unscrew the thumb screw and remove the old drum.
2. Place and center a new drum into position. Remove the cover.

PARTS LIST / TP0645G5XXXXXXX

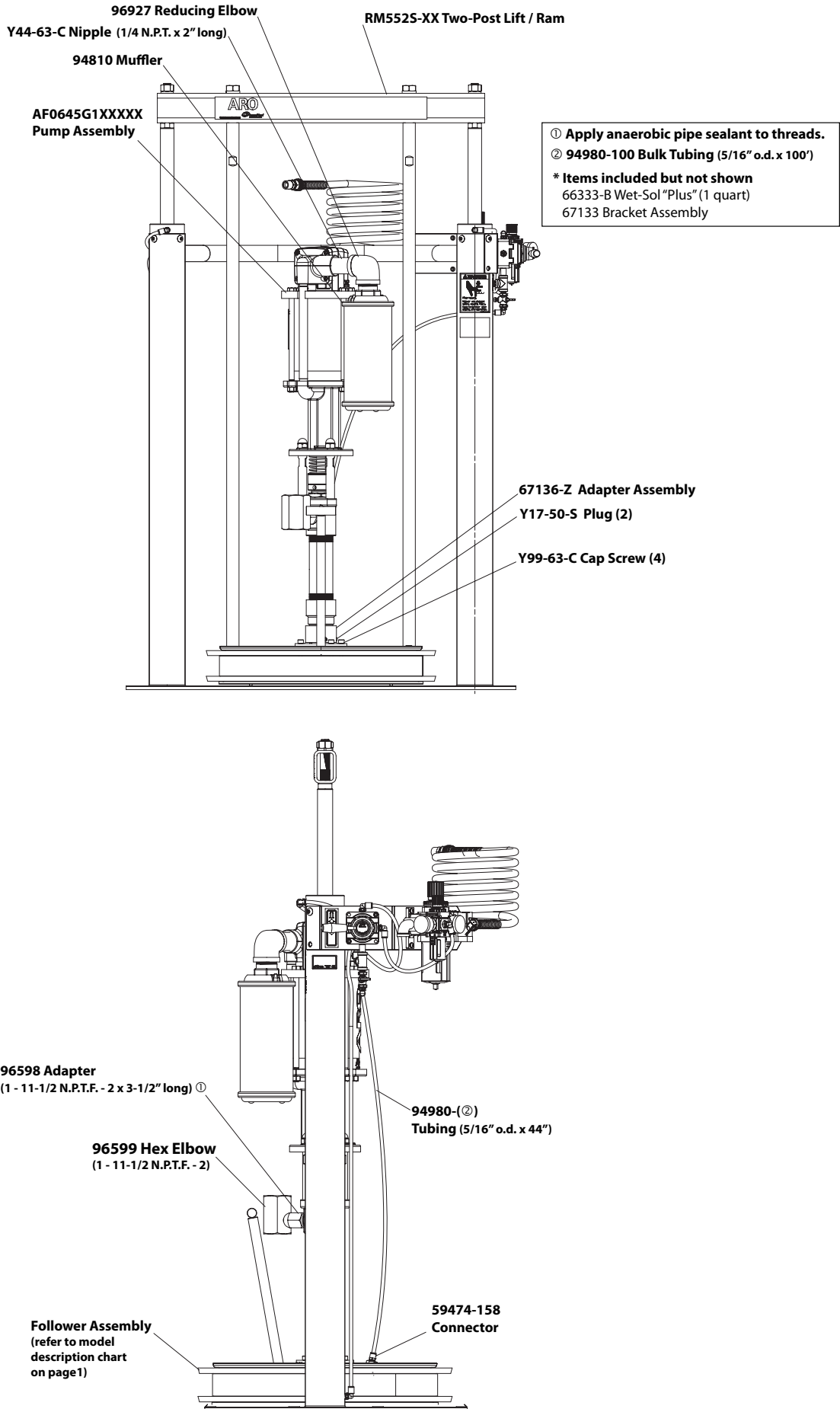


Figure 3

DIMENSIONS

