

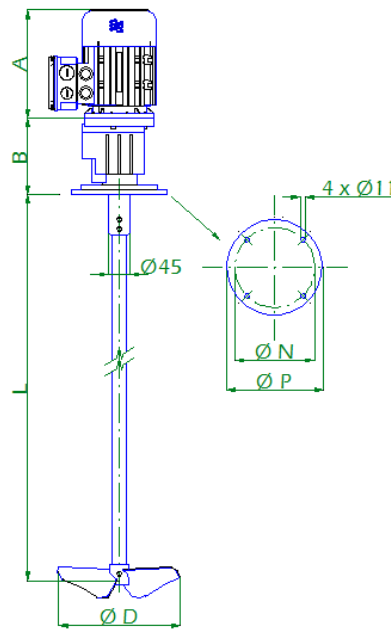
VPP series are low running mixers specially designed for the mixing of quite viscous fluids. They are suitable for medium volume tanks up to 4 - 5 m³. Thanks to their life greased reducer gear it is a friendly maintenance machine just to connect and run. The S type axial profile propeller is designed to reach a balanced pumping flow/power absorption ratio. The propeller can be easily adjusted along the shaft if necessary, or it can be equipped with two or more propellers.

Main features:

- For tanks 0,5 – 5 m³
- Motor power: 0,18 kW to 2,2 kW.
- Running speed 300 rpm (other speeds available).
- 3 blades type S axial profile propeller, diameter 200–400 mm.
- Shaft length up to 1500 mm.
- Shaft and propeller AISI 316, or polyethylene coated.

Optional extras:

- PVC or AISI 316 flange with oil seal.
- Rubber coated shaft + propeller.
- Food industry execution, polished.
- ATEX motors.
- DIN or ANSI flanges.
- Special executions.



Model	Power kW	Speed rpm	A	B	D	L max.	N	P	Weight kg	Vol. m ³
VPP3-01 03 B 01	0,18	310	187	173	200	1500	165	200	22	0,5
VPP3-03 03 B 25	0,37	305	207	173	250	1500	165	200	24	0,5 – 1
VPP3-05 03 B 02	0,75	309	225	179	300	1500	210	250	31	1 – 2
VPP3-06 03 B 03	1,1	309	274	208	350	1500	210	250	35	2 – 3
VPP3-07 03 B 04	1,5	289	248	208	400	1500	210	250	40	3 – 4
VPP3-08 03 B 04	2,2	289	309	208	400	1500	210	250	45	4 – 5

Dimensions in [mm].

(*) Tank volumes only for guidance.

Due to our policy of constant improvement, shown values can be changed.

Tineo, 17 ▪ 28031 Madrid (Spain) ▪ Tel: + 34 91 170.19.24 ▪ sales@fluidmix.es